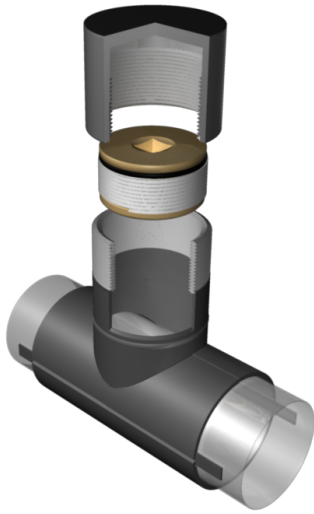


LINESTOP Fitting Threaded Plug



Propipe's LineStop Threaded Fittings are designed to be compatible with TD.Williamson Hottap and LineStop Equipment.

They are used for main relocations, equipment tie-ins, lateral connection, line extensions, crossovers, purge and equalization , all without shutdown the service and on pressured pipeline.

When used with LineStop machines, the maximum recommended working pressure and temperature should be limited to that of the plugging equipment, but not exceeding that of the fitting itself.

The fittings are compatible with ASME 150, 300 and 600 class applications.

Size		PART NUMBER		
		FLAT BOTTOM		
Inch	DN	Class 150#	Class 300#	Class 600#
2	50	PF-0202-15-TN-A0	PF-0202-30-TN-A0	PF-0202-60-TN-A0
3	75	PF-0303-15-TN-A0	PF-0303-30-TN-A0	PF-0303-60-TN-A0

Size		PART NUMBER		
		PAD		
Inch	DN	Class 150#	Class 300#	Class 600#
2	50	PF-0202-15-TN-AP	PF-0202-30-TN-AP	PF-0202-60-TN-AP
3	75	PF-0303-15-TN-AP	PF-0303-30-TN-AP	PF-0303-60-TN-AP

Size		PART NUMBER		
		WELDOLET		
Inch	DN	Class 150#	Class 300#	Class 600#
2	50	PF-0202-15-TN-AW	PF-0202-30-TN-AW	PF-0202-60-TN-AW
3	75	PF-0303-15-TN-AW	PF-0303-30-TN-AW	PF-0303-60-TN-AW

Size		PART NUMBER		
		FULL CIRCLE REINFORCEMENT		
Inch	DN	Class 150#	Class 300#	Class 600#
2	50	PF-0202-15-TN-AR	PF-0202-30-TN-AR	PF-0202-60-TN-AR
3	75	PF-0303-15-TN-AR	PF-0303-30-TN-AR	PF-0303-60-TN-AR